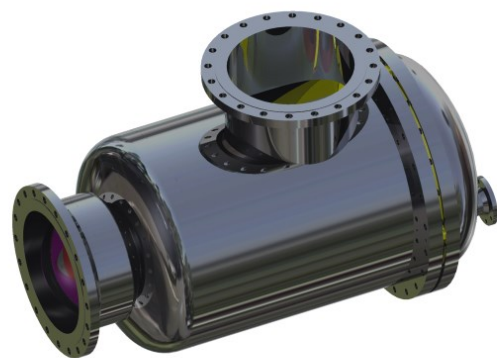


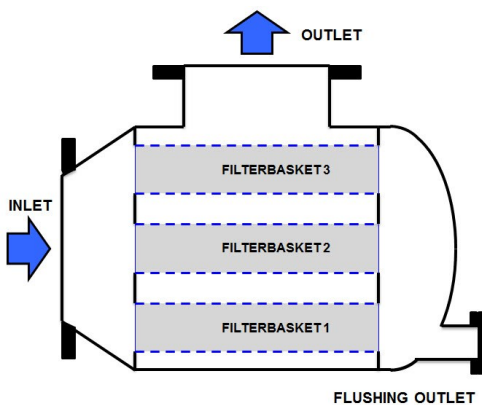
IMF Filter – A service friendly manual filter for a trouble free filtration.

ILFCO has released a new series of manual filters, IMF, as a complement to the auto back-flush filters ILF. IMF is designed for tough environment, safe operation. IMF has a compact and service friendly design which make it easy to remove and flush the filter baskets. The baskets are free from internal through parts. The filter can be installed in almost any orientations. The IMF filters are also supplied with a flushing valve for manual flushing out the collected debris in the debris collector. The flushing will not interrupting the operation.

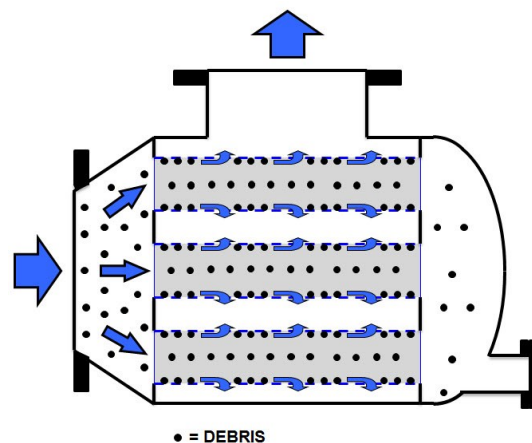
The filter is also supplied with a flow distributor at inlet in order to keep down the pressure drop.



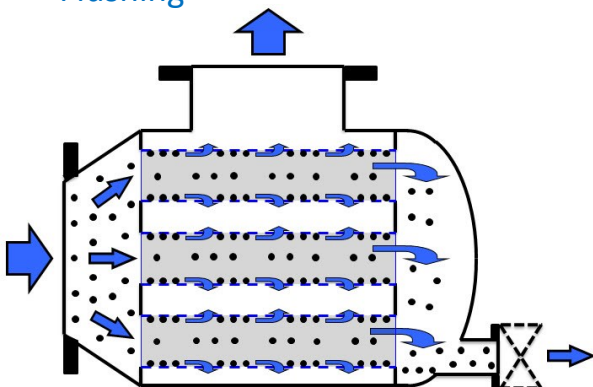
Main parts



Operation



Flushing



The raw liquid enters the filter baskets through the main inlet. The liquid is being filtrated when it passes through the filter-baskets prior to being discharged at the main outlet. The debris is collected inside the baskets and in the debris collector. All loose debris collected can easily be flushed out by opening the flushing valve installed at flushing outlet (Can be ordered as extra).

Technical information

Designed flow capacities: Recommended from 70m³/h up to 14000m³/h.

Available materials: stainless steel EN 1.4436/ ASTM316, ASTM S31254 SMO or Carbon steel P265 GH/ ASME 516 Gr.60, internally lined with Glass Flake Polyester.

Inlet / outlet connections: DN200/8", DN300/12", DN400/16", DN500/20", DN600/24", DN800/32", DN1000/40".

Connections standards: EN1092-1, PN10, ASME B16.5, Class 150.

Mesh size: From 50 microns and up to 5mm.

Design code: EN13445 and ASME VIII div.1.

Design pressure: 10 barg, 150psi

Design temperature: 65 deg.C, 149 deg.F

Recommended flowrates

| Filter Model | Min. flow rate m ³ /h. DP 3 kpa at 1,6 m/s | Max. flow rate, m ³ /h. DP 35 kpa at 5m/s |
|--------------|---|--|
| IMF 20 | 70 | 565 |
| IMF 30 | 400 | 1270 |
| IMF 40 | 700 | 2260 |
| IMF 50 | 1120 | 3530 |
| IMF 60 | 1600 | 5090 |
| IMF 80 | 2860 | 9050 |
| IMF 100 | 4460 | 14100 |

IMF can easily be upgraded to be automatic flushed. By changing the endcover supplied with piston valves. A control panel is also required.

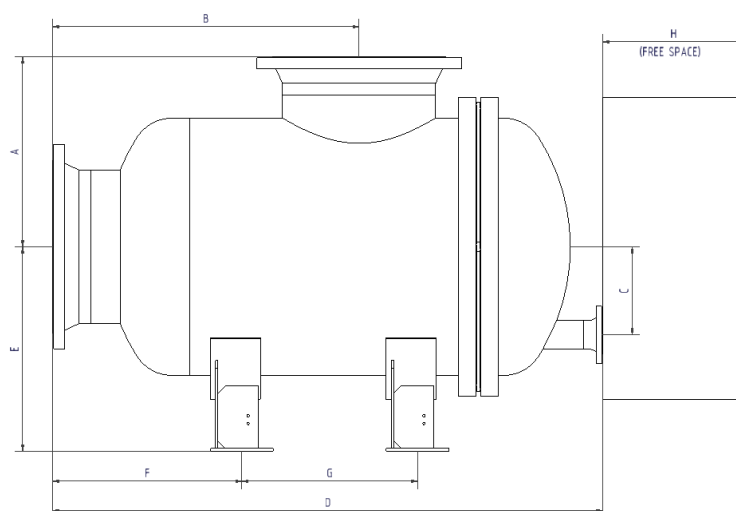
ILFCO filters type ILF and IFM have same built in dimensions .

IMF is internally lined with Glass Flake Polyester which guarantee a corrosion safe design.

ILFCO AB is a Swedish company with more than 30 years experience of filtration of low quality water.

ILFCO AB reserves the right to change specifications without prior notification.

IMF Dimensions



| Size | A | B | C | D | E | F | G | H |
|-------|-----|------|-----|------|-----|-----|-----|-----|
| IMF20 | 362 | 620 | 140 | 1100 | 400 | - | - | 400 |
| IMF30 | 432 | 778 | 200 | 1450 | 500 | - | - | 400 |
| IMF40 | 527 | 896 | 240 | 1650 | 600 | 450 | 550 | 450 |
| IMF50 | 645 | 1060 | 300 | 1900 | 750 | 500 | 600 | 500 |
| IMF60 | 755 | 1220 | 350 | 2190 | 850 | 600 | 700 | 600 |



Contact: info@ilfco.se

Home page: www.ilfco.se